



cPRO camin User Guide

v2.0 | October, 2019

Software Release Package v3.0

Imprint

Copyright

Copyright © 2019 cmotion GmbH (cmotion).

All rights reserved. No portions of this document may be reproduced without prior written consent of cmotion GmbH.

Specifications are subject to change without notice. Errors, omissions, and modifications excepted.

For further assistance

cmotion GmbH
Wiedner Hauptstraße 135/B3
1050 Wien
Fbnr.: FN220240H – HG Wien
UID-Nr.: ATU 54026806
<http://www.cmotion.eu>
sales@cmotion.eu
+43 1 7891096

This USER GUIDE applies to the following product:

K2.0015992 cPRO camin with Software Release Package v3.0

Document revision history:	v2.0
Release Date:	07.10.2019

Disclaimer

Before using the products described in this manual, be sure to read and understand all the respective instructions.

The cmotion cPRO camin with Software Release Package v3.0 is only available to commercial customers. By utilization, the customer agrees that the cPRO camin or other components of the system are deployed for commercial use only. Otherwise the customer must contact cmotion before utilization.

While cmotion endeavors to enhance the quality, reliability and safety of their products, customers agree and acknowledge that the possibility of defects thereof cannot be eliminated entirely.

To minimize the risk of damage to property or injury (including death) to persons arising from defects in the products, customers must incorporate sufficient safety measures in their work with the system and heed the stated canonic use.

cmotion or its subsidiaries do not assume any responsibility for losses incurred due to improper handling or configuration of the cPRO camin or other system components. cmotion assumes no responsibility for any errors that may appear in this document. The information is subject to change without notice.

For product specification changes after this manual was published, refer to the latest published cmotion data sheets or release notes, etc., for the most up-to-date specifications. Not all products and/or types are available in every country. Please check with a cmotion sales representative for availability and additional information.

Neither cmotion nor its subsidiaries assume any liability for infringement of patents, copyrights or other intellectual property rights of third parties by or arising from the use of cmotion products or any other liability arising from the use of such products. No license, express, implied or otherwise, is granted under any patents, copyrights or other intellectual property right of cmotion or others.

cmotion or its subsidiaries expressly exclude any liability, warranty, demand or other obligation for any claim, representation, cause, action, or whatsoever, express or implied, whether in contract or not, including negligence, or incorporated in terms and conditions, whether by statute, law or otherwise. In no event shall cmotion or its subsidiaries be liable for or have a remedy for recovery of any special, direct, indirect, incidental, or consequential damages, including, but not limited to lost profits, lost savings, lost revenues or economic loss of any kind or for any claim by a third party, downtime, goodwill, damage to or replacement of equipment or property, any cost or recovery of any material or goods associated with the assembly or use of our products, or any other damages or injury of the persons and so on or under any other legal theory.

In the event that one or all of the foregoing clauses are not allowed by applicable law, the fullest extent permissible clauses by applicable law are validated

Table of Contents

1. For your safety	6
2. Audience and intended use	8
3. Scope of delivery and warranty	8
4. Introduction.....	9
4.1. LBUS connector.....	9
4.2. CAM interface	10
5. cPRO camin layout	10
5.1. Control panel.....	10
5.1.1. Soft buttons.....	11
5.1.2. Menu navigation	11
5.2. Setup.....	11
5.2.1. Radio channels.....	11
5.2.2. Command mode.....	11
5.2.3. Region settings.....	12
5.2.4. System info.....	13
5.2.5. Factory reset.....	13
5.2.6. Status LEDs.....	13
6. cPRO camin preparation.....	14
6.1. cPRO camin bracket.....	14
6.2. Alternative mounting options	15
6.2.1. Mounting to 19 mm and 15 mm rods.....	15
6.2.2. Mounting to Panavision rods.....	16
6.3. Setting up the cPRO camin	17
6.4. Connecting to the cPRO hand unit.....	17
6.5. Setting up the cPRO camin's command mode	18
6.5.1. to enable wireless for non-wireless devices.....	18
6.5.2. to use as a range extender.....	19
7. Compatibility	20
8. Software update.....	20
9. Power disconnection	20

10. Appendix 21

- 10.1. Antenna connector 21
- 10.2. Specifications 21
- 10.3. Dimensions and weight 22
- 10.4. Pinouts 23
- 10.5. Part numbers 24
- 10.6. Cleaning and maintenance 27
- 10.7. Service contacts 28
- 10.8. International declarations 29

1. For your safety

Before use, please ensure that all users comprehensively read, understand, and follow the instructions in this document.

Risk levels and alert symbols:

Safety warnings, safety alert symbols, and signal words in these instructions indicate different risk levels:



DANGER indicates an imminent hazardous situation which, if not avoided, will result in death or serious injury.



WARNING indicates a potentially hazardous situation which, if not avoided, may result in death or serious injury.



CAUTION indicates a potentially hazardous situation which, if not avoided, may result in minor or moderate injury.

NOTICE

NOTICE explains practices not related to physical injury. No safety alert symbol appears with this signal word.

Note: Provides additional information to clarify or simplify a procedure.

Vital precautions:



Risk of electric shock and fire!

Short-circuits may entail lethal damage!

Before use, read and follow all valid instructions.

Use solely and exclusively as described in the instructions.

Never open. Never insert objects.

For operation, always use a power source as indicated in the instructions.

Always unplug the cable by gripping the plug, not the cable.

Never try to repair. All repair work should be done by a qualified cmotion Service Center.

Never remove or deactivate any safety equipment (incl. warning stickers or paintmarked screws).

Always protect from moisture, cold, heat, dirt, vibration, shock, or aggressive substances.



Risk of fire!

Short-circuits and back currents to power supplies/batteries may entail lethal damage!

Always use original ARRI/cmotion LBUS cables to external power sources (D-Tap, XLR)!

ARRI/cmotion LBUS cables to external power sources provide a protection circuit to prevent back currents to power supplies/batteries.

2. Audience and intended use

NOTICE

The product is solely and exclusively available for commercial costumers and shall be used by skilled personnel only. Every user should be trained according to cmotion guidelines. Use the product only for the purpose described in this document. Always follow the valid instructions and system requirements for all equipment involved.

Note: The cPRO camin is solely and exclusively for use on professional camera setups.

3. Scope of delivery and warranty

NOTICE

Product and packaging contain recyclable materials. Always store, ship, and dispose of according to local regulations.

cmotion is not liable for consequences from inadequate storage, shipment or disposal.

Delivery:

On delivery, please check that the package and content are intact. Never accept a damaged or incomplete delivery. If bought in a cPRO kit, a complete delivery includes:

- cPRO camin unit with antenna
- cPRO camin bracket
- User manual download card
- Original packaging

Warranty:

For scope of warranty, please ask your local cmotion Service Partner. cmotion is not liable for consequences from inadequate shipment, improper use, or third-party products.

4. Introduction



The cPRO camin is cmotion’s smallest and lightest motorbox with an integrated red-coded cmotion radio module.

The cPRO camin provides full lens data and can pair with up to two cPRO or cPRO ONE hand units for split focus, iris or zoom control. The unique command mode allows you to use a cPRO camin with non-wireless controls and integrate them into a wireless network. When connected together, 2 cPRO camin can even be used as a wireless range extender.

The simple user interface includes two soft buttons and a display for selecting one of the 14 radio channels.

Using the LBUS interface, the system can be expanded with up to three additional cforce motors while the new CAM connector provides a versatile interface for power supply and run/stop control for cameras, including ARRI, RED, SONY, Canon, Blackmagic and Panavision and camera control* for selected ARRI, RED and SONY cameras.

*camera control license required

Main features:

- Integrated cmotion red radio module
- Supports lens data with cPRO hand unit
- Daisy-chainable via LBUS
- command mode (wireless for non-wireless devices / range extender)
- Small and lightweight (~77g / < 3oz incl. antenna)

4.1. LBUS connector

LBUS is a bus standard designed to allow multiple lens motors and control devices to communicate with each other. Up to three cforce-type motors can be chain-linked in a row. Each cforce motor has two identical, bi-directional LBUS interfaces providing power and control signals to the motor.

4.2. CAM interface

The CAM interface is a fully functional LBUS connector. As such it allows multiple lens motors and control devices to communicate with each other through K2.0015760 Cable CAM (7p) - LBUS.

In addition the CAM interface offers a versatile interface for camera control*. There are camera interface cables, which depending on the camera offer start-stop control and record feedback, camera status, tally and control of camera settings*.

*camera control license required

5. cPRO camin layout

- 1 Antenna
- 2 Upper soft button
- 3 Lower soft button
- 4 CAM connector
- 5 LBUS connector
- 6 Mounting rail (on back side)
- 7 Display



5.1. Control panel

The cPRO camin features a user interface to configure the system. The display shows menu and status information.



5.1.1. Soft buttons

Two soft buttons are located below the display. They change their function depending on the screen content.

5.1.2. Menu navigation

Use the soft buttons to enter the setup menus as follows:

Buttons	Press button...	Menu
Upper button	Short	Change RF channels 0-13, counting up
Lower button	Short	Change RF channels 13-0, counting down
Upper button	Long (3 sec)	Enter "command mode" to switch between "master" and "client"
Lower button	Long (3 sec)	System info
Lower button	Long (6 sec)	Region settings
Both buttons	Long (6 sec)	Factory reset

Note: The main screen turns off after 3 seconds.

5.2. Setup

5.2.1. Radio channels

The RF menu lets you select the radio channel.

Press the lower or upper button momentarily to enter the radio menu.

The upper button allows you to change the RF channels from 0 - 13, the lower button allows you to change the RF channels from 13 - 0.

Toggle through the channels until you reach the desired radio channel. The channel will be set automatically after three seconds.

5.2.2. Command mode

This unique feature allows you to use any cPRO camin as a receiver (client mode) or as a transmitter (master mode), at the push of a button to create a wireless solution for any LBUS controller.

Simply connect your non-wireless LBUS device; i.e. pan-bar zoom, steady zoom, Master Grip or OCU-1 to the cPRO camin, connect it to a power source and set the camin to "master". The cPRO camin will then transmit wireless command signals to the "client" (cPRO camin / cPRO motor) on the camera-side.

Wireless applications for robotics and motion control are possible without any additional accessories (e.g. LCUBE-1) through the cPRO camin's CAM to serial interface.

The cPRO camin can even increase your LCS wireless range. Simply connect 2 cPRO camin with an LBUS cable, set one to master, the other one set to client to create an RF repeater to achieve a wireless range of up to 2,000m.

In order to switch between master and client, simply press and hold the upper button on the cPRO camin for 3 seconds. Then, select master or client with the up/down buttons and wait for 5 seconds to enable the function.

Command mode is available from software version 3.0.

For further information on how to use command mode, please refer to section "6.5. Setting up the cPRO camin's command mode" on page 18 in this manual.

5.2.3. Region settings

The cPRO camin offers radio settings for different areas (with red-radio module EMIP400). Make sure that you select the proper area you are operating the device in.

All available region settings comply with Part 15 of the FCC rules.

Push the lower button for 6 seconds to enter the region settings menu. Push momentarily to toggle through the regions. Select WORLD if your specific region is not listed.

Region Setting	Country code
Australia	AU
Canada	CA
China	CN
Egypt	EG
Europe	EU
Hong Kong	HK
India	IN
Japan	JP
New Zealand	NZ
Philippines	PH
Singapore	SG
South Africa	ZA
South Korea	KR
Taiwan	TW
Thailand	TH
UAE (United Arab Emirates)	AE
USA	US
World	WORLD

5.2.4. System info

Hold the lower button for three seconds to view the system info.

The system info shows the current firmware version.

5.2.5. Factory reset

Press and hold both buttons in order to execute a factory reset. All settings will be reset to default.

5.2.6. Status LEDs

The status LED of the lower button indicates the current radio status.

LED (Lower button)	Status
Solid green	Ready, client logged on
Yellow/red flashing	Selected channel used by another device
Green/red flashing	No device connected, wireless or hardwired
Solid red	Camion initializing / hardware fault
Red flashing	Update

6. cPRO camin preparation

6.1. cPRO camin bracket



Mounting the cPRO camin using the cPRO camin bracket

1. Choose the 1/4-20 UNC or 3/4-16 UNC mounting insert, depending on the mounting options on your camera.
2. Match the registration marks of the insert and the cPRO camin bracket and snap in the insert accordingly. The insert can be fixed in two different orientations, depending on the best suitable mounting option on your camera.
3. Attach the cPRO camin bracket to a 1/4-20 UNC or 3/4-16 UNC thread on your camera.
4. Slide the cPRO camin onto the cPRO camin bracket.
5. Lock the cPRO camin bracket by turning the thumbscrew clockwise.

6.2. Alternative mounting options

6.2.1. Mounting to 19 mm and 15 mm rods

Mounting to 19 mm rods

1. Slide the clamp console onto the rail of the cPRO camin.
2. Open the clamp console by turning the thumbscrew counter-clockwise.
3. Remove the 19/15mm clamp insert.
4. Attach the clamp console on the rod.
5. Close the clamp console by turning the thumbscrew clockwise.

NOTICE

Mounting options to 19 mm and 15 mm rods are not included in the cPRO camin basic set. For this K2.0006176 cforce mini clamp console 19/15mm (including: K2.0006175 cforce mini clamp insert 19/15mm) is required and needs to be ordered seperately.

Mounting to 15 mm rods

1. Slide the clamp console onto the rail of the cPRO camin.
2. Open the clamp console by turning the thumbscrew counter-clockwise.
3. Attach the 19/15mm clamp insert (K2.0006175) on the 15 mm rod.
4. Attach the clamp console around the clamp insert on the rod.
5. Close the clamp console by turning the thumbscrew clockwise.

NOTICE

Mounting options to 19 mm and 15 mm rods are not included in the cPRO camin basic set. For this K2.0006176 cforce mini clamp console 19/15mm (including: K2.0006175 cforce mini clamp insert 19/15mm) is required and needs to be ordered seperately.

6.2.2. Mounting to Panavision rods

1. Slide the clamp console onto the rail of the cPRO camin.
2. Open the clamp console by turning the thumbscrew counter-clockwise.
3. Remove the 19/15mm clamp insert.
4. Attach the CLM-4 Clamp Insert 5/8" (K2.72115.0) to the 5/8" rod.
5. Attach the clamp console around the clamp insert on the rod.
6. Close the clamp console by turning the thumbscrew clockwise.

NOTICE

A mounting option to Panavision rods is not included in the cPRO camin basic set. For this K2.0006176 cforce mini clamp console 19/15mm and K2.72115.0 CLM-4 Clamp Insert 5/8" is required and needs to be ordered seperately.

6.3. Setting up the cPRO camin

1. Press the lower or upper button to select the radio channel.
2. Press the lower button for six seconds to select the region you are in. Repeat this step each time you change a region.

Note: Once the cPRO camin is connected to a cPRO or cPRO ONE hand unit, changing the region on the hand unit will automatically change the region on the cPRO camin.

3. Press the FIZ button on each cforce motor attached for 3 seconds to start the automatic calibration of the respective motor. Alternatively, activate the calibration process through the cPRO or cPRO ONE hand unit (please refer to the cPRO hand unit user manual).

6.4. Connecting to the cPRO hand unit

1. Set the cPRO hand unit to the same radio channel as the cPRO camin (please refer to the cPRO hand unit user manual). Once both units are set to the same radio channel, the two devices will connect automatically.

2. If multiple hand units are used, please set all cPRO or cPRO ONE hand units you want to connect to the network to the same radio channel as the cPRO camin (please refer to the cPRO hand unit user manual). Once a hand unit is set to the same radio channel like the cPRO camin, the device will connect automatically. Upto 2 cPRO or cPRO ONE hand units can be connected to the cPRO camin at a time.

You are now ready to shoot.

CAUTION!



Risk of injury! Do not touch the cforce motors connected to the camin while the camin is powered up!

This device is not intended for use by children. Keep body parts out of the motion path.

Disconnect the plug if the device is not used for a long period of time.

IEC 60417-6056 (2011-05) for other moving parts

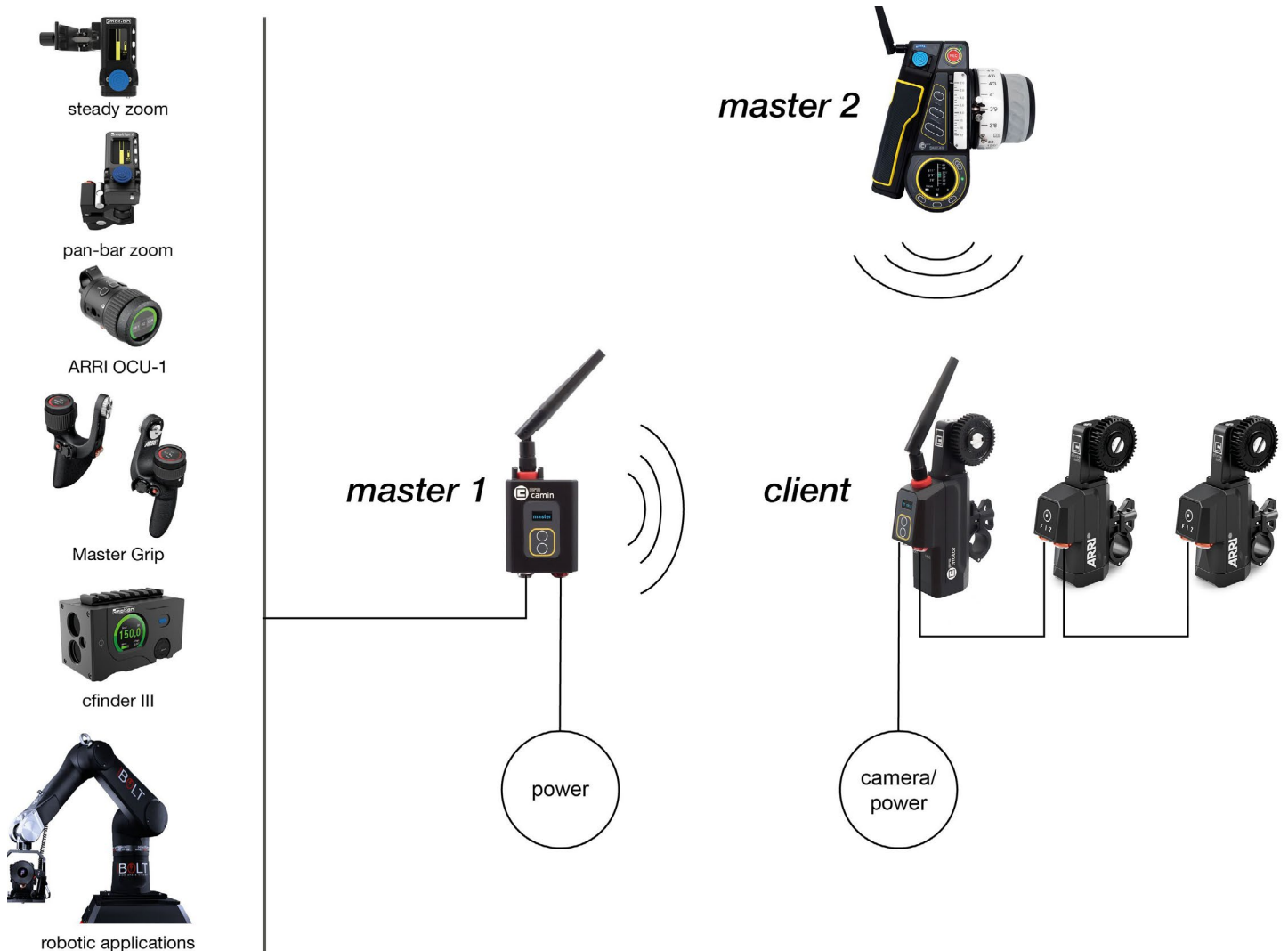
NOTICE

To prevent the cPRO camin from falling down when detaching the camin from the cPRO camin bracket, hold the cPRO camin with one hand while opening the cPRO camin bracket.

6.5. Setting up the cPRO camin's command mode

6.5.1. to enable wireless for non-wireless devices

1. Connect your non-wireless LBUS device; i.e. pan-bar zoom, steady zoom, Master Grip or OCU-1 to the cPRO camin using an LBUS - LBUS cable or a CAM - LBUS cable.
2. Supply power to the daisy chain through the cPRO camin's CAM or LBUS connector, or alternatively, through the LBUS device.
3. Set the cPRO camin to "master". In order to switch between master and client, simply press and hold the upper button on the cPRO camin for 3 seconds. Then, select master or client with the up/down buttons and wait for 5 seconds to enable the function.
4. Set the cPRO camin (master) to the same radio channel as the cPRO camin / cPRO motor (client) on the camera side. Once both units are set to the same radio channel, the two devices will connect automatically.
5. If multiple cPRO camin or cPRO hand units are used, please set all devices you want to connect to the network to the same radio channel (please also refer to the user manual of the cPRO hand unit). Up to 2 wireless devices can be connected to one cPRO camin / cPRO motor at a time.

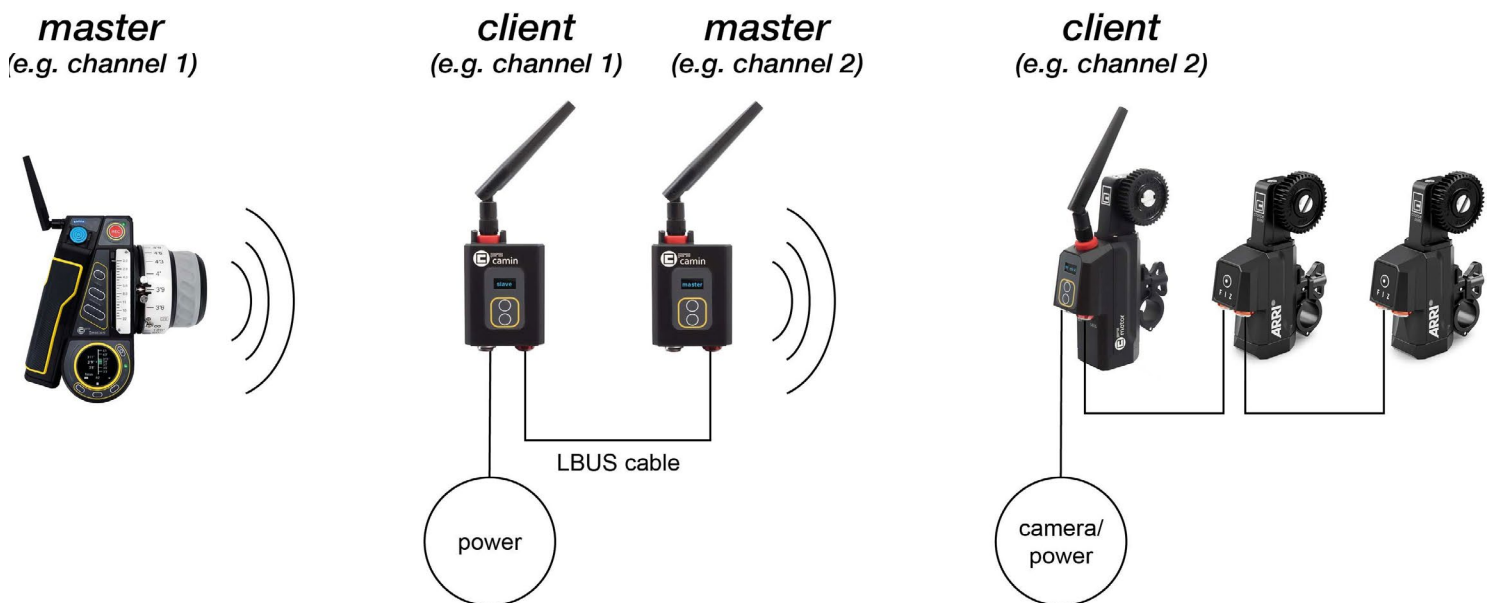


6.5.2. to use as a range extender

1. Connect two cPRO camins together using an LBUS - LBUS cable or a CAM - LBUS cable.
2. Supply power to the daisy chain through the cPRO camin's CAM or LBUS connector.
3. Set one cPRO camin to "master", the other one to "client". In order to switch between master and client, simply press and hold the upper button on the cPRO camin for 3 seconds. Then, select master or client with the up/down buttons and wait for 5 seconds to enable the function.
4. Now, connect one cPRO camin (client) to the wireless device (master) (e.g. cPRO hand unit) and the other cPRO camin (master) to the cPRO camin / cPRO motor (client) on the camera side.

In order to extend the RF range, you need to create two independent transmission paths. Set the cPRO camin (client) to the same radio channel as the wireless device e.g. the cPRO hand unit (transmission path 1). Then, set cPRO camin (master) to the same radio channel as the cPRO camin / cPRO motor (client) on the camera side (transmission path 2). Once both transmission paths are established, the wireless device e.g. cPRO hand unit (master from transmission path 1) will communicate to the cPRO camin / cPRO motor (client from transmission path 2). The two cPRO camins connected together will act as a range extender when positioned approximately half way in between the camera and the wireless control device.

Note: If cPRO camins are used as an RF repeater as described above, only one hand unit can be used in the wireless network. However, this single cPRO hand unit can still control up to 4 axis (2 axis for cPRO ONE).



7. Compatibility

The cPRO camin is directly compatible with the following cmotion / ARRI products:

- cPRO hand unit
- cforce mini lens motor
- cforce plus lens motor
- cdistance
- cfinder III
- steady zoom / pan-bar zoom
- UDM-1 (Ultrasonic Distance Measure) via LCUBE CUB-1
- Master Grips

Note: Run/Stop control is supported for all standard digital cameras (ARRI, BLACKMAGIC, CANON, RED, SONY, PANAVISION) using additional CAM interface cables.

8. Software update

The cPRO camin can be updated from the cPRO hand unit via USB through its LBUS interface.

To keep your cPRO camin up-to-date, you may need to update its firmware. Please check cmotion's website for the latest firmware packages.

Please refer to the user manual of the cPRO hand unit for further information.



Do not switch power off during the update, as this may damage the cPRO camin!

9. Power disconnection



To disconnect the device safely from the power source, remove both cable connectors from the cPRO camin's LBUS and CAM ports.

Mount and operate the device in an orientation to ensure easy access to the connectors.

10. Appendix

10.1. Antenna connector

The radio connection is established via the antenna, connected to the antenna connector. We recommend using the originally supplied antenna only.



Please ensure the antenna connector is covered by the antenna or the safety cap at any time. The radio module inside the cPRO camin could be damaged by electrostatic discharge, if the connector is left open.

10.2. Specifications

Electrical data:

Temperature range: -20 to +50° C (-4 to +122° F)

Supply voltage: 10.5 - 34 V

Radio system:

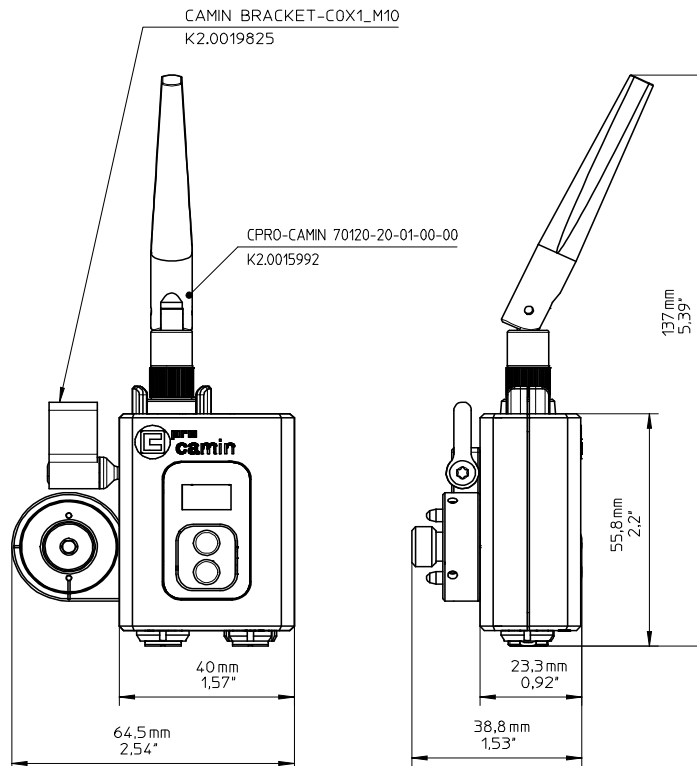
The cPRO camin contains a radio unit that enables wireless lens control with a red coded radio module. A red ring at the base of the antenna mount identifies it. It offers 14 channels to choose from:

Channel	Frequency
0	2.410 GHz
1	2.415 GHz
2	2.430 GHz
3	2.435 GHz
4	2.450 GHz
5	2.455 GHz
6	2.470 GHz
7	2.475 GHz
8	2.420 GHz
9	2.425 GHz
10	2.440 GHz
11	2.445 GHz
12	2.460 GHz
13	2.465 GHz

Note: cmotion red radio and ARRI white radio cannot be mixed in the same radio network of camera and hand units. It is possible to use both systems in parallel within different radio networks.

10.3. Dimensions and weight

Dimensions:



Weight:

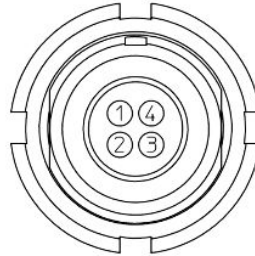
Weight of cPRO camin: 77 g (< 3oz) including antenn

10.4. Pinouts

The cPRO motor contains one LBUS connector (Lemo 4 pin) and one CAM connector (Lemo 7 pin).

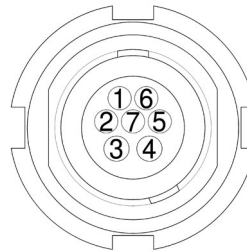
LBUS connector:

- 1 GND
- 2 CAN-L
- 3 V-BAT
- 4 CAN-H



CAM connector:

- 1 CAM If1 (CAN RS232 RX)
- 2 CAM If2 (CAN1-L)
- 3 GND
- 4 +V-Bat
- 5 CAM If3 (CAN RS232 TX)
- 6 CAM If4 (CAN1-H)
- 7 Cable ID



10.5. Part numbers

K2.0015992 cPRO camin

The cPRO camin includes:

- K2.0001996 swivel antenna for SMC-1, EMC-1, AMC-1, cPRO hand unit / motor / camin

NOTICE

The cPRO camin basic set does not include LBUS or CAM cables. LBUS cables are available in various lengths and need to be ordered separately.

Part numbers - antennas

Radiall/Larsen K2.0002007 Dipole / Reverse SMA

Wanshih 50.0013627 Dipole / Reverse SMA

Proant K2.0001996 Dipole / Reverse SMA

Nearson O5.20112.0 Dipole / Reverse SMA

The following accessories are compatible with the cPRO motor:

K2.0001996 swivel antenna for SMC-1, EMC-1, AMC-1, cPRO hand unit / motor / camin

K2.0019825 cPRO camin bracket

Camera interface cables:

K2.0015754 Cable CAM (7p) - RS

Connects cmotion cPRO motor and camin to RS connector.

Provides power, camera RUN/STOP and tally function on cPRO hand unit. Works with ARRI ALEXA / AMIRA and SONY VENICE cameras.

K2.0015755 Cable CAM (7p) - EXT (16p)

Connects cPRO motor and camin to the EXT connector of an ARRI ALEXA EV camera.

Provides camera RUN/STOP function, tally and camera status information on cPRO hand unit.

K2.0015756 Cable CAM (7p) - EXT (6p)

Connects cPRO motor and camin to ARRI AMIRA / ALEXA MINI / ALEXA MINI LF EXT connector.

Provides camera RUN/STOP function, tally, camera status information and remote camera control* on cPRO hand unit.

*ARRI camera control license required

C0XE-K07 Cable CAM (7p) - LCS (5p)

Connects cPRO motor and camin to ARRI ALEXA PLUS / ALEXA LF cameras.

Provides power to LBUS daisy chain, RUN/STOP function, tally, camera status information and camera control* on cPRO hand unit.

*ARRI camera control license required

K2.0015757 Cable CAM (7p) - LANC/D-Tap

Connects cPRO motor and camin to LANC connector (e.g. Canon C300 / C500) and D-Tap power source.

Provides camera RUN/STOP function and tally on cPRO hand unit.

K2.0015758 Cable CAM (7p) - RED CTRL/D-Tap

Connects cPRO motor and camin to RED CTRL connector on RED Epic DSMC-2 and RED Weapon cameras and D-Tap power source.

Provides camera RUN/STOP function, tally, camera status information, control of EF lenses and camera control* on cPRO hand unit.

*RED camera control license required

K2.0015759 Cable CAM (7p) - ENG (12p)

Connects cPRO motor and camin to the ARRI AMIRA / ALEXA Mini or 3rd-party cameras LENS connector.

Provides camera RUN/STOP function, tally and camera status information on cPRO hand unit.

K2.0018814 Cable CAM (7p) - Sony Hi (4p) / D-Tap

Connects cPRO motor and camin to Sony F5/F55/Venice cameras and D-Tap power source.

Provides camera RUN/STOP function and tally.

C0XE-K08 Cable CAM (7p) - Sony Remote (8p) / D-Tap

Connects cPRO motor and camin to Sony F5/F55/Venice cameras and D-Tap power source. Provides camera RUN/STOP function, tally, camera status information and camera control* on cPRO hand unit.

*SONY camera control license required

K2.0015760 Cable CAM (7p) - LBUS

Connects cPRO motor and camin to LBUS devices or LBUS power source.

Provides power to LBUS daisy chain or LBUS device features an cPRO hand unit.

Note: REQUIRED for cPRO motor / camin firmware update.

Power cables:

K2.0018813 Cable CAM (7p) - D-Tap

Connects cPRO motor and camin CAM connector to D-Tap power source.

K2.0006758 Cable LPS-7

Connects cPRO motor and camin LBUS connector to D-Tap power source.

10.6. Cleaning and maintenance

The cPRO camin is a precision instrument. Do not drop it or subject it to physical shock.

The cPRO camin is not waterproof and cannot be used underwater. If you accidentally drop a cPRO camin into water, consult your nearest service center. Wipe off any water droplets with a dry cloth and do not attempt to turn the camin on.

If the cPRO camin has been exposed to salty air, wipe down the external components with a damp but well-wrung cloth.

Do not use cleaning agents that contain organic solvents to clean the button panels or display. For stubborn marks, please take the cPRO camin to your nearest service center.

If the cPRO camin is transferred suddenly from somewhere cold to somewhere warm, condensation may form on both external and internal components. To prevent condensation, put the camin in a sealed plastic bag and let it adjust to the warmer temperature before use.

If condensation has formed on the cPRO camin, do not power on as this could damage electrical components. Simply remove the power supply and wait until the condensation has evaporated.

10.7. Service contacts

1. **cmotion GmbH**
Wiedner Hauptstraße 135/B3
1050 Vienna / Austria
<http://www.cmotion.eu>
sales@cmotion.eu
Service Hotline: +43 1 7891096

2. **camadeus Film Technologies, Inc.**
314 N. Victory Blvd.
Burbank, CA 91502
<http://www.camadeus.com>
contact@camadeus.com
Service Hotline: +1 (321) 345-6765

3. **ARRI China (Beijing) Co. Ltd**
China, Chaowai SOHO Suite C0656
Chaowai Dajie Yi 6, Chaoyang Qu,
100020, Beijing / China
store@arri.cn
Service Hotline: +86 10 5900 9680

4. **Cineom Broadcast India Ltd.**
Unit 4C, 4th Floor, Goldline Business Centre,
New Malad Link Rd, Malad (W),
400064, Mumbai / India
support@cineom.com
Service Hotline: +91 22 42109000

10.8. International declarations

EU-Declaration of Conformity

The designated product conforms with the specifications of the following European directives:

Directive 2014/53/EU of the European Parliament and the Council of 16 April 2014 on the harmonization of the laws of the Member States relating to the making available on the market of radio equipment and repealing Directive - OJ L 153, 22.5.2014, S. 62–106.

Directive 2011/65/EU of the European Parliament and the Council of 8 June 2011 on the restriction of the use of certain hazardous substances in electrical and electronic equipment - OJ L 174, 1.7.2011, S. 88–110.

The compliance with the requirements of the European Directives was proved by the application of the following standards:

- EN 62368-1:2014 + AC:2015-05 + AC:2015-11
- EN 301 489-1 V2.1.1; EN 301 489-17 V3.1.1
- EN 300 328 V2.1.1
- EN 50581:2012

To evaluate the respective information we used:

http://ec.europa.eu/growth/single-market/european-standards/harmonised-standards/index_en.htm



FCC Class A Statement

Note: This equipment has been tested and found to comply with the limits for a Class A digital device, pursuant to Part 15 of the FCC Rules. These limits are designed to provide reasonable protection against harmful interference when the equipment is operated in a commercial environment. This equipment generates, uses, and can radiate radio frequency energy and, if not installed and used in accordance with the instruction manual, may cause harmful interference to radio communications. Operation of this equipment in a residential area is likely to cause harmful interference in which case the user will be required to correct the interference at his own expense.

Industry Canada Compliance Statement

Complies with the Canadian ICES-003 Class A specifications.

Cet appareil numérique de la Classe A est conforme à la norme NMB-003 du Canada. This device complies with RSS 210 of Industry Canada. Cet appareil est conforme à CNR-210 d'Industrie Canada. This Class A device meets all the requirements of the Canadian interference-causing equipment regulations. Cet appareil numérique de la Classe A respecte toutes les exigences du Règlement sur le matériel brouilleur du Canada.

Japan MIC Statement

Complies with Ministry of Internal Affairs and Communications notification Article 88, Annex 43.



Radio Module

The cPRO camin contains the following radio module:

FCC ID: Y7N-EMIP400

IC ID: 9482A-EMIP400

CMIT ID: 2017DJ7863C(M)

MIC ID: 020-180030

NCC: CCAH18LP0660T0

KC: R-CRM-ARg-EMIP400

EMIP400s: ETA:1385/2018/ERLO